

# INSTRUCTIONS

**910-31923**

**910-31928**

Speedway Motors, inc. ©March 2007

## **910-31923 11<sup>5</sup>/<sub>8</sub>" REAR DISC BRAKE KIT FOR 7.5 GM REAR END**

## **910-31928 11<sup>5</sup>/<sub>8</sub>" REAR DISC BRAKE KIT FOR 7.5 GM REAR END WITH EMERGENCY BRAKE CALIPERS**

**PLEASE READ INSTRUCTIONS COMPLETELY  
BEFORE STARTING YOUR INSTALLATION!**

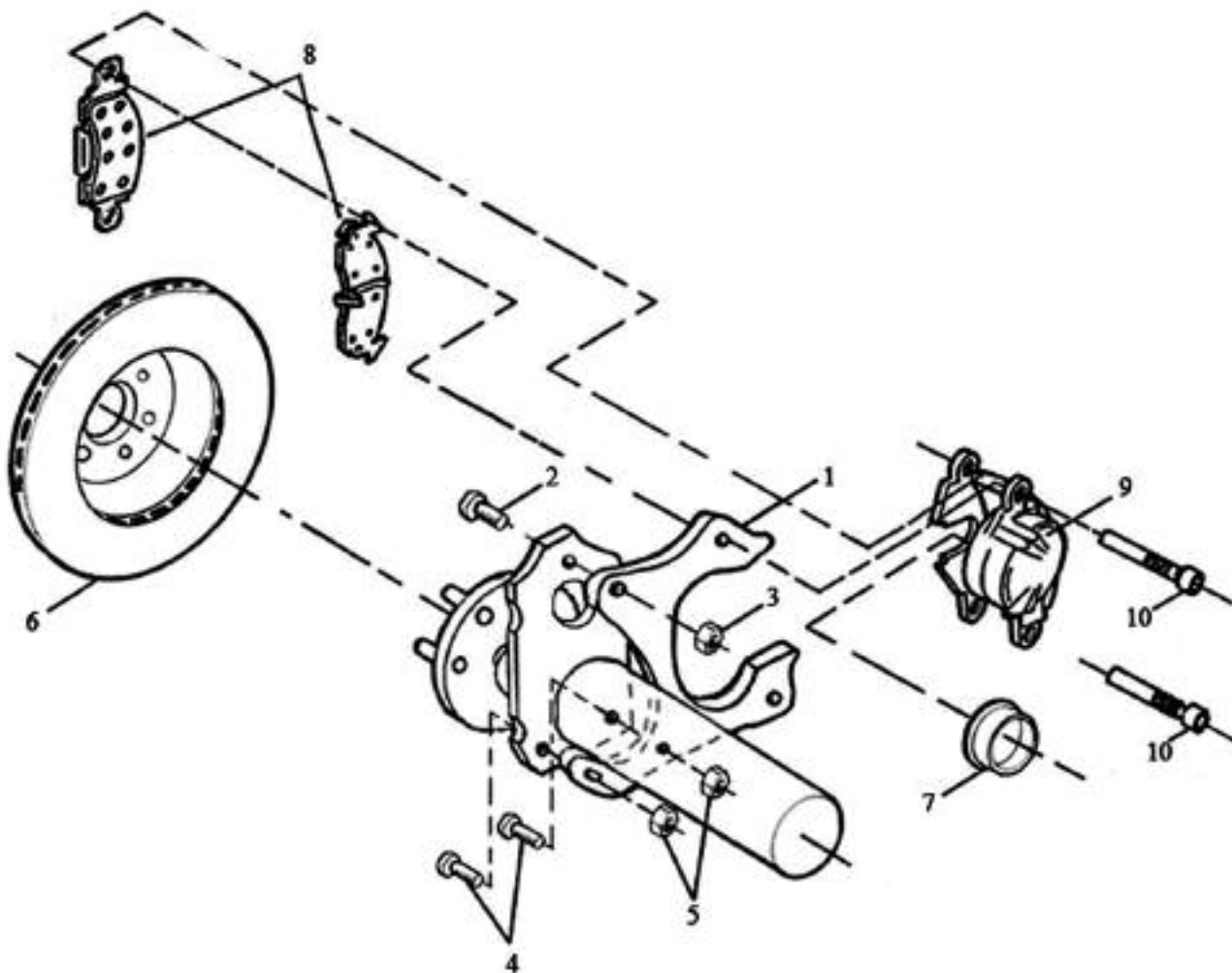
This bolt-on rear disc brake kit adapts GM '93-'97 Camaro 11<sup>5</sup>/<sub>8</sub>" rotors and '78-'88 GM metric front calipers or '79-'85 Cadillac Seville metric rear calipers with emergency brakes to 7.5 GM rear ends.

### Parts List

Index No.	Description	Part Number	Quantity
<b>PARTS LIST: 910-31923 NON EMERGENCY BRAKE CALIPERS</b>			
	Hardware kit	910-31923-2	1
1	Caliper brackets set	910-31923-1	1
2	9/16"-18 x 1 <sup>1</sup> / <sub>2</sub> " GR 8 hex bolt	in hardware kit	2
3	9/16"-18 locking nuts	in hardware kit	2
4	3/8"-24 x 1 <sup>1</sup> / <sub>4</sub> " GR 8 bolts	in hardware kit	4
5	3/8"-24 locking nuts	in hardware kit	4
6	11 5/8" GM 93-97 Camaro rotors	910-31043	2
7	Brake pad spacer	910-41909	2
8	Brake pad set	910-3381	1
9	GM metric caliper (left) non e/brake	910-31045-L	1
9	GM metric caliper (right) non e/brake	910-31045-R	1
10	Caliper bolts	835-2300542	4
<b>PARTS LIST: 910-31928 WITH EMERGENCY BRAKE CALIPERS</b>			
	Hardware kit	910-31923-2	1
1	Caliper brackets	910-31923-1	1
2	9/16"-18 x 1 <sup>1</sup> / <sub>2</sub> " GR 8 hex bolt	in hardware kit	2
3	9/16"-18 locking nuts	in hardware kit	2
4	3/8"-24 x 1 <sup>1</sup> / <sub>4</sub> " GR 8 bolts	in hardware kit	4
5	3/8"-24 locking nuts	in hardware kit	4
6	11 5/8" GM 93-97 Camaro rotors	910-31043	2
7	Brake pad spacer	910-41909	2
8	Brake pad set	919-15620	1
9	GM metric emergency brake caliper (left)	910-31046-L	1
9	GM metric emergency brake caliper (right)	910-31046-R	1
10	Caliper bolts	835-2300542	4
<b>Other parts needed:</b>			
	Emergency brake cables	491-80FU	1

**BRAKE INSTALLATION ALERT:** The selection and installation of brake components should only be done by personnel experienced in the proper installation and operation of braking systems. The installer must use his/her own discretion to determine the suitability of the brake components and brake kits for every particular application.

Speedway Motors, Inc. makes no warranties, either expressed or implied, including any warranty of merchantability or fitness for a particular purpose, other than those contained in its current catalog or website with respect to the goods identified on the face of the invoice. There is no warranty expressed or implied as to whether the goods sold hereby will protect the purchaser or ultimate user of such goods from injury or death.



1. Using the parts list supplied, double check that you received all the parts in this kit. If there are any missing parts, please contact the customer service department.
2. Remove the axles and backing plates from the rearend. Refer to a GM service manual for this procedure.
3. Clean and wire brush the housing flanges and inspect for damage or any burrs that would interfere with the mounting of the caliper brackets.
4. Drill out both lower holes in the housing flanges to 3/8".
5. Install the caliper bracket (#5) to the inside of the housing flange. The caliper opening points to the rear. Install the 9/16"-18 x 1 1/2" GR 8 bolt (#2) into the upper mounting holes, installing them from the axle side. Secure with the 9/16"-18 locking nuts (#3) Install the two 3/8"-24 x 1 1/4" GR 8 bolts (#4) into the lower mounting holes, installing them from the axle side. Secure with the 3/8"-24 locking nuts (#5). Make sure the caliper brackets mount flush to the housing flange. Torque the upper 9/16" bolt to 53-81 ft. lbs. and the lower 3/8" bolts to 16-24 ft. lbs.

6. Before installing the axles it's a good idea to install new axle seals.
7. Reinstall the axles.
8. Install the rotors (#6) on the axles, making sure that both the axle and the rotor surfaces are clean and free of any debris that would cause the rotor to wobble. Hold the rotor in place with a couple of lug nuts. In some cases the axle flanges may interfere with the I.D. of the rotor. In these cases the axles have to be turned down for the rotor to fit. This would must be done in a lathe by a machine shop.
9. Install the brake pad spacer (#7) into the piston of the caliper (#9). Install the brake pads (#8) into the calipers (#9). Slide the caliper over the rotor and into the caliper bracket, making sure the bleeders are pointing up. Use only use the correct GM mounting bolts (#10).
10. Install the brake hoses making sure you check that the line has clearance through the entire suspension travel. Bleed the system as normal. Note: The caliper fitting is a 7/16"-20 thread.
11. Before operating the vehicle, test the brakes under controlled conditions. Make several stops in a safe area from low speeds and gradually work up to operating speeds.

**NOTE:** Follow instruction sheet 910-31046 for setting and bleeding emergency brake caliper.

# IMPORTANT

**DISCLAIMER** In an effort to offer our customers the low prices, quick service and great value, Speedway Motors reserves the right to change suppliers, specifications, colors, prices, materials. Each of the previous items is subject to change without notice. Speedway is not responsible for any typographical errors or misinterpretations. Quantities are limited on some items.

**WARRANTY DISCLAIMER** The purchaser understands and recognizes that racing parts, specialized street rod equipment, and all parts and services sold by Speedway Motors, Inc. are exposed to many and varied conditions due to the manner in which they are installed and used. Speedway Motors, Inc. makes no warranties, either express or implied, including any warranty of merchantability or fitness for a particular purpose other than those contained in its current catalog with respect to the goods identified on the face of the invoice. There is no warranty expressed or implied as to whether the goods sold hereby will protect purchaser or ultimate user of such goods from injury or death. Speedway Motors assumes no liability after this period.

**DAMAGE CLAIMS** Always inspect your package upon delivery. Inspect all packages in the presence of the delivery driver. The driver must note any damage. Ask the driver the Carrier's procedures for handling damage claims. You must hold the original box, packing material and damaged merchandise for inspection or the carrier will not honor the claim. Notify Speedway Motors customer service department for instructions on returning damaged goods. Speedway is not responsible if no notification is given within 5 days of receipt.

**SHORTAGES** Always check the contents of your delivery to insure all the parts that you ordered were received. Please read the invoice. Double check all packing materials, small items may be wrapped inside with these products. Shortages may occur from damage to the box, so save all packing materials. Inspect the box for holes that would allow parts to fall out. If you are missing any item(s) be sure to check your invoice for back orders or canceled items before calling the customer service department. If Speedway has to split a shipment into multiple boxes, packages may be delivered on different days. You need to contact the customer service department within 5 days of delivery to assure the prompt replacement. Speedway Motors assumes no liability after this period.

**REFUSALS** All refused COD customers will be billed a 15% restocking charge plus freight to and from the destination! If you have questions please contact Speedway's customer service department.

**WARRANTY CLAIMS** If an item has a manufacturer's warranty as being free from defects we will exchange only. If the item has been used and you are requesting warranty work, this may take up to 30 days as warranty work is done by the manufacturer NOT Speedway Motors. If you have any questions please contact customer service.

**RETURNS** Speedway wants you to be satisfied with your purchase. If within 30 days after you receive your shipment you are not satisfied, you may return the item for refund or exchange. All exchanged or returned merchandise must be in original factory condition with no modifications or alterations. Returned merchandise must include all packaging materials, warranty cards, manuals, and accessories. If the items being returned need to be repackaged there will be a re-packing charge. Repack the item in a sturdy box and include a copy of your invoice and complete the form on the back of the invoice. You must ship orders back **PRE-PAID. WE DO NOT ACCEPT COD SHIPMENTS.** All exchanges need to have reshipping charges included. Items that are returned after 30 days are subject to 15% restocking charges. All fiberglass returned will have 15% restocking charge. No returns on electrical parts, video tapes, and books. Absolutely no returns on special order or close out merchandise.

**FREE CATALOGS** Speedway Motors offers FREE catalogs for Race, Street, Sprint and Midjet, Sport Compact and Pedal Car restoration.

\*\*Some items are not legal for sale or use in California on pollution controlled motor vehicles. These items are legal in California for racing vehicles only which may never be used upon a highway.



**Speedway Motors Inc., P.O. Box 81906  
Lincoln, NE 68501 (402) 323-3200  
www.speedwaymotors.com**